

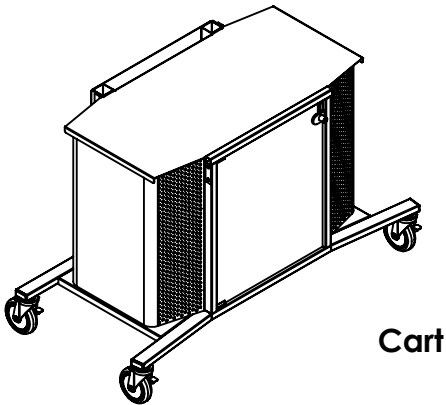
Assembly and mounting Instructions

Thank you for purchasing VFI's MC1000 Metal Cart.
This product was designed for video conferencing applications
and is suitable for single TV configurations.

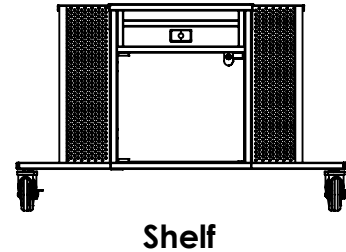
Note: If you cannot understand these instructions or are concerned about safety of the installation
Contact a qualified contractor or contact VFI at 1-877-834-3876.

Confirm all hardware is included before you begin assembly.
Not all hardware supplied will be used depending on the manufacturer of your display/s.

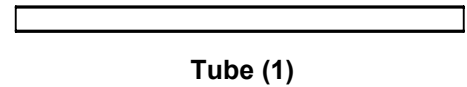
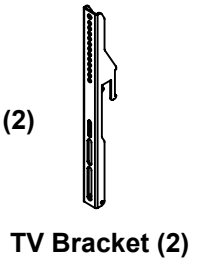
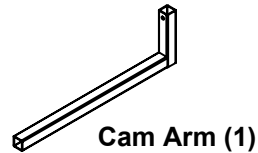
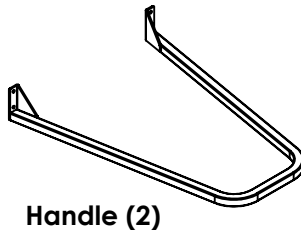
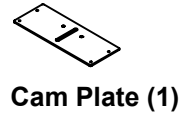
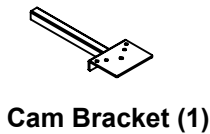
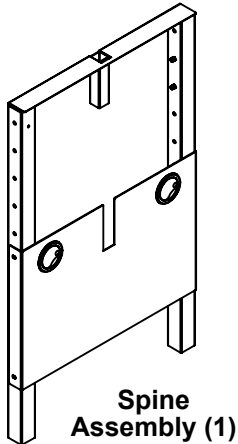
Base:



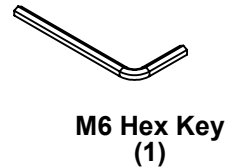
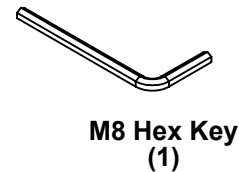
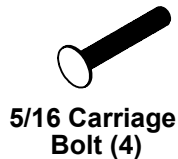
Options:



Supplied Parts:

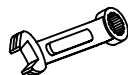


Supplied Hardware:



Tools required:

Not Included



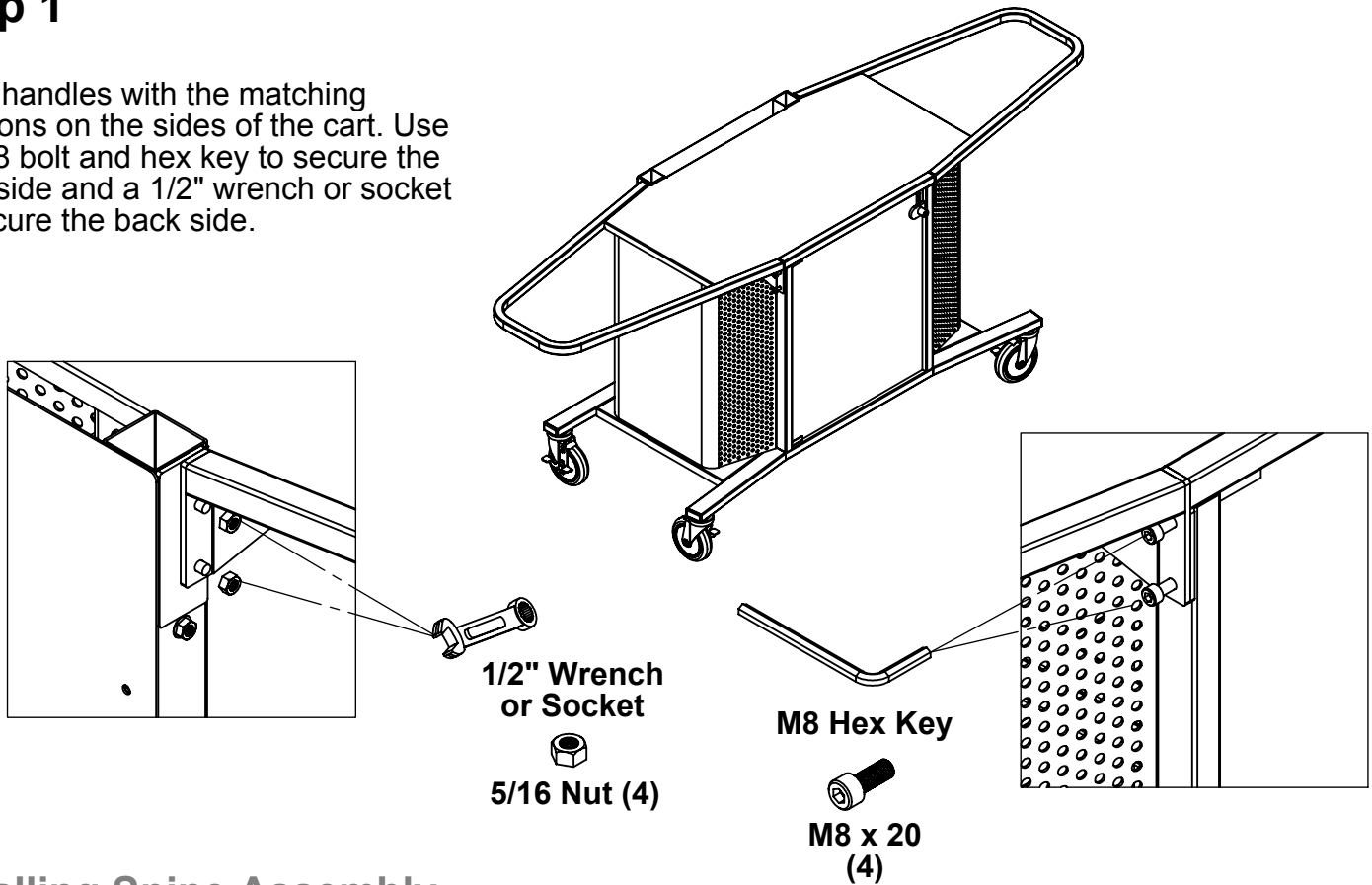
9/16" Wrench or Socket



1/2" Wrench or Socket

Step 1

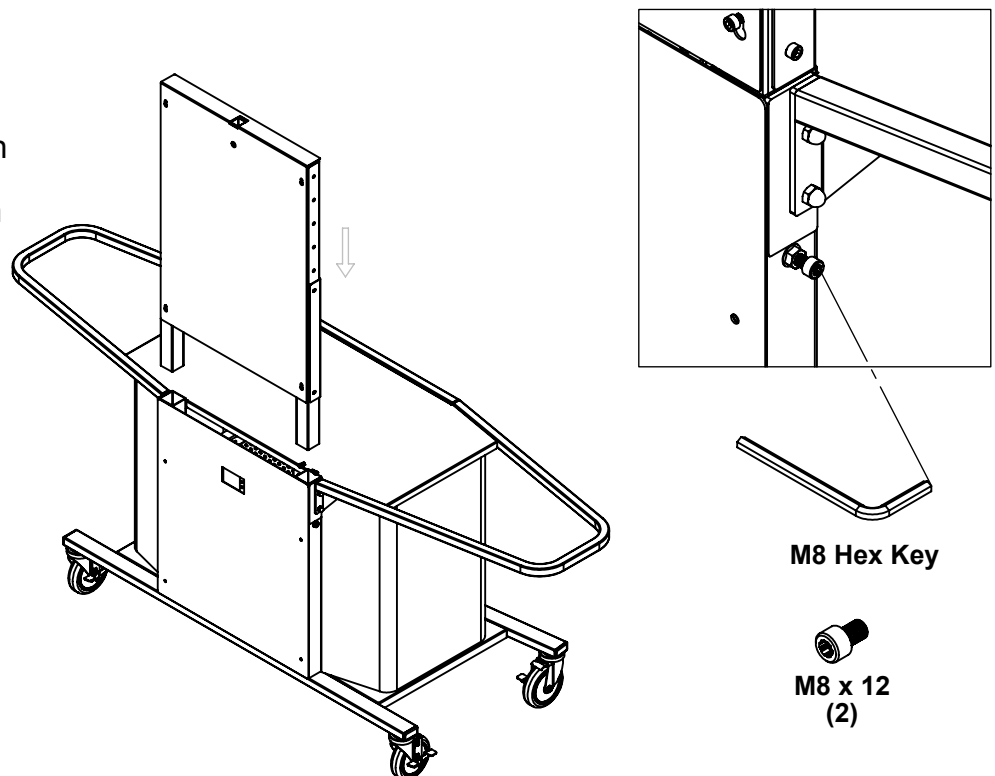
Align handles with the matching locations on the sides of the cart. Use an M8 bolt and hex key to secure the front side and a 1/2" wrench or socket to secure the back side.



Installing Spine Assembly

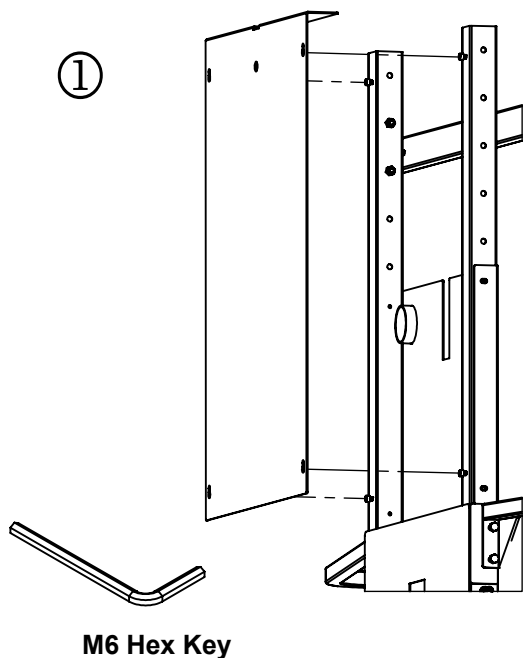
Step 2

Slide the spine assembly into the locations on the top of the cart with the large cover facing the back. Secure in place with an M8 bolt on each side.

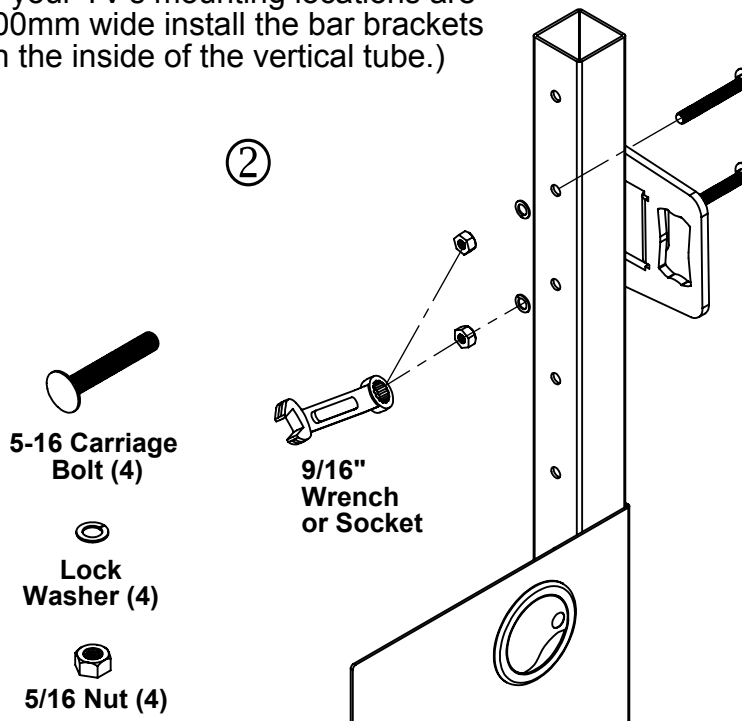


Step 3

1) Remove the back cover by first loosening the M6 bolts, then sliding upwards and out.



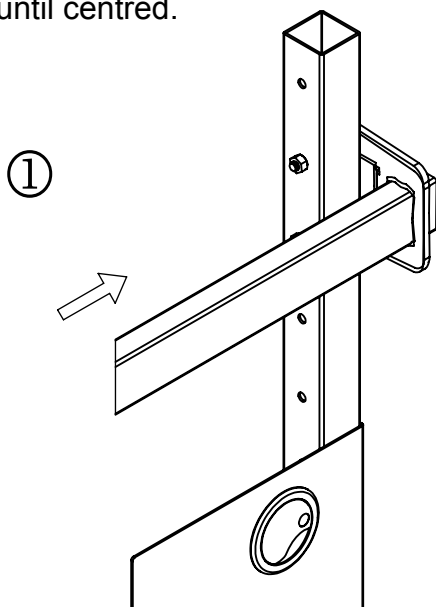
2) Attach tube brackets at a desired height using the provided hardware and 9/16" wrench or socket. (If your TV's mounting locations are 600mm wide install the bar brackets on the inside of the vertical tube.)



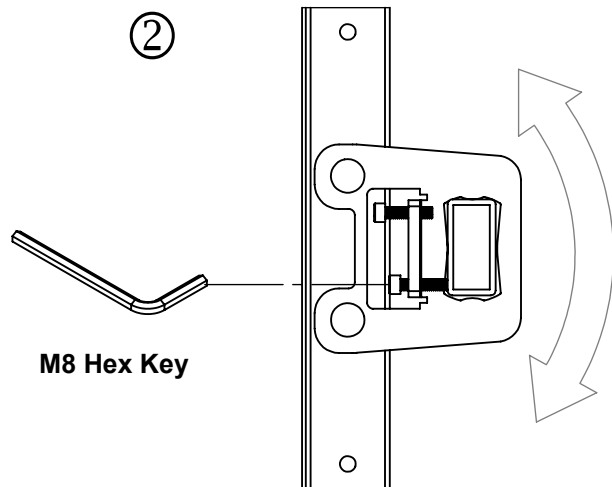
Installing Tube

Step 4

1) Slide the PM2 tube through the tube bracket slots until centred.



2) Tighten the bottom bolt on the back of each tube bracket until the tube is at the desired angle. Tighten the top bolt to secure the tube in place.



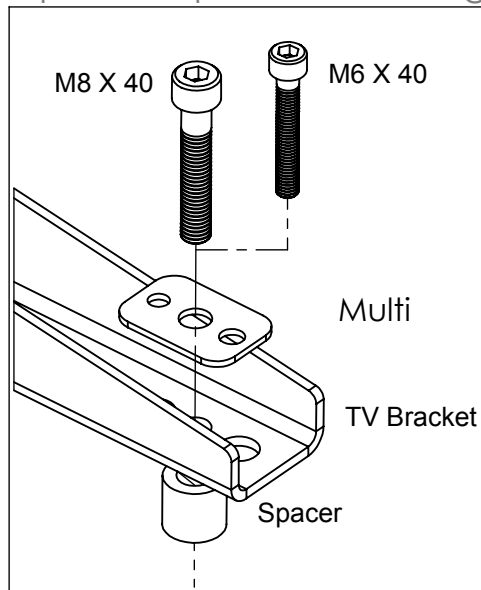
Step 5

1. Place TV face down on blanket or non abrasive surface such as cardboard.
2. Check to see if your TV came with mounting hardware or not. If not, we have supplied the most common hardware. Most displays under 42" will use the M6 bolt. Most 42"+ will use the M8 bolts. See which bolt length you need by hand tightening only.
3. Place TV brackets so you can see the TV mounting holes through the bracket and insert bolt through a multi washer.
4. Use the Hex key to tighten until there is resistance, then give a half turn. **DO NOT OVERTIGHTEN AS THIS CAN DAMAGE OR PUNCTURE THE TV**

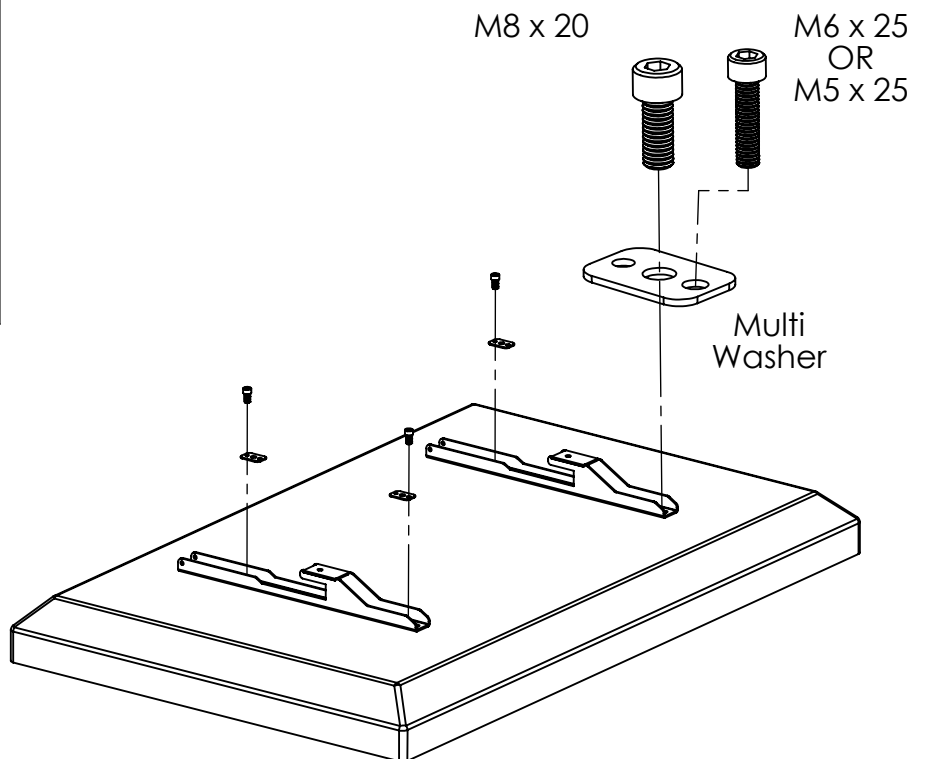
Notes.

- Have 2 people lift the TV as it can be very heavy and awkward.
- Some TV's require non standard hardware. This bracket was made to accomodate up to M10 bolts which can be found at your local hardware store along with longer versions of the included hardware.

Optional Spacer mounting



Spacer is used when the back of TV is not flat or the mount holes are sunk into the back of the TV. (Rarely used)



TV
Hardware Bag

VIDEO FURNITURE INTERNATIONAL

190 Don Hillock Drive Aurora, Ontario L4G 0G9 www.video-furn.com
Toll Free: 1-877-834-3876 Fax: 1-905-751-1488 Local: 905-751-1459

Step 6

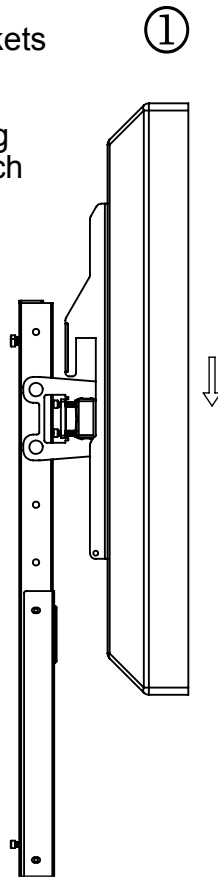
1) Slide TV with attached brackets onto the installed TV bar. ①

2) Secure in place by tightening the M8 bolts on the back of each TV bracket.

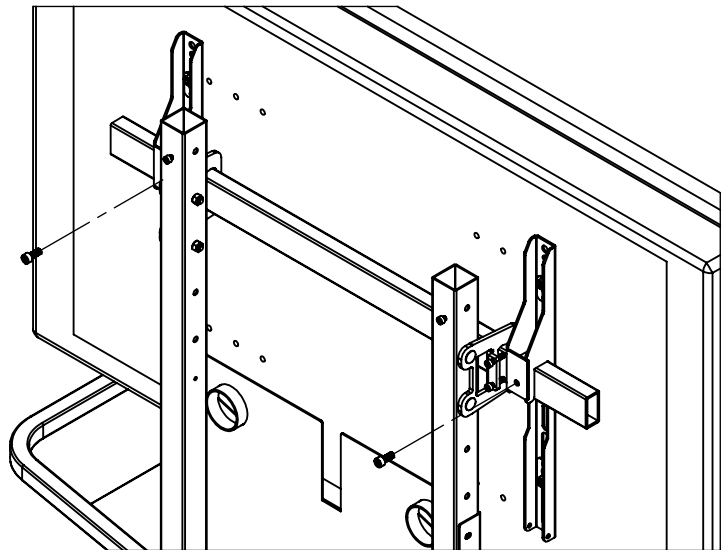
3) Connect all cables including those that will be attaching to the camera.



M8 Hex Key



②



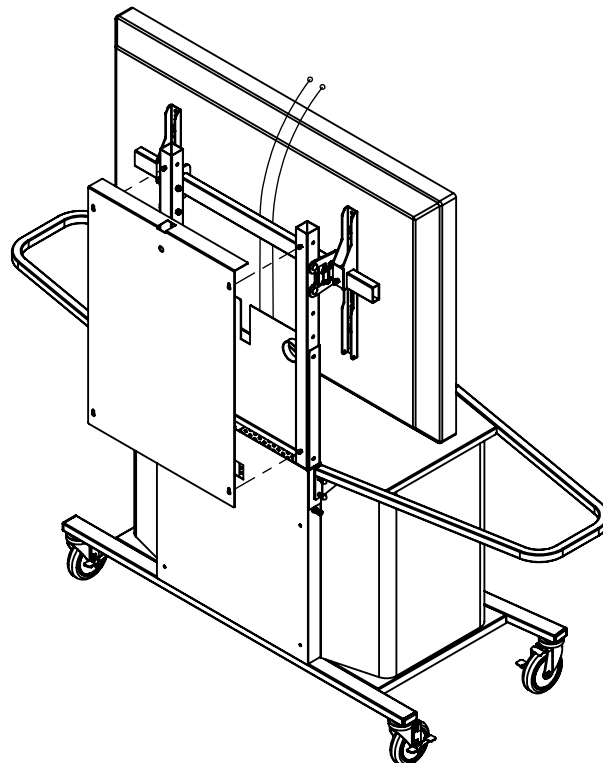
Installing Back Cover

Step 7

Re-install the back cover and tighten M8 bolts to secure in place.



M6 Hex Key

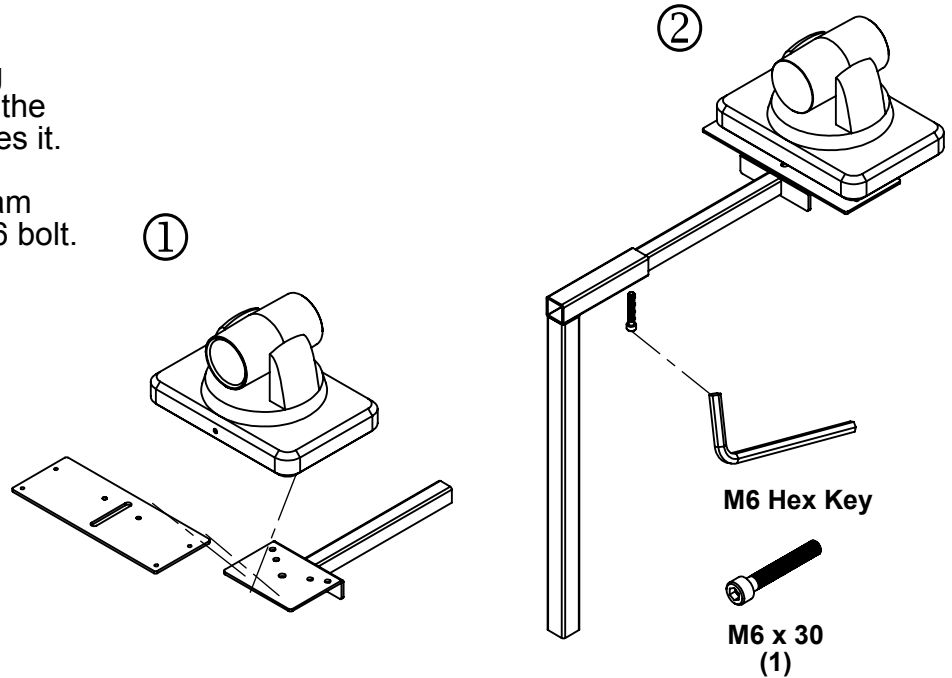


Step 8

1) Mount your video conferencing camera onto the cam bracket using contents of the camera bag. Install the cam plate first if your camera requires it.

2) Slide the cam bracket into the cam arm and secure in place with an M6 bolt.

Camera Hardware Bag

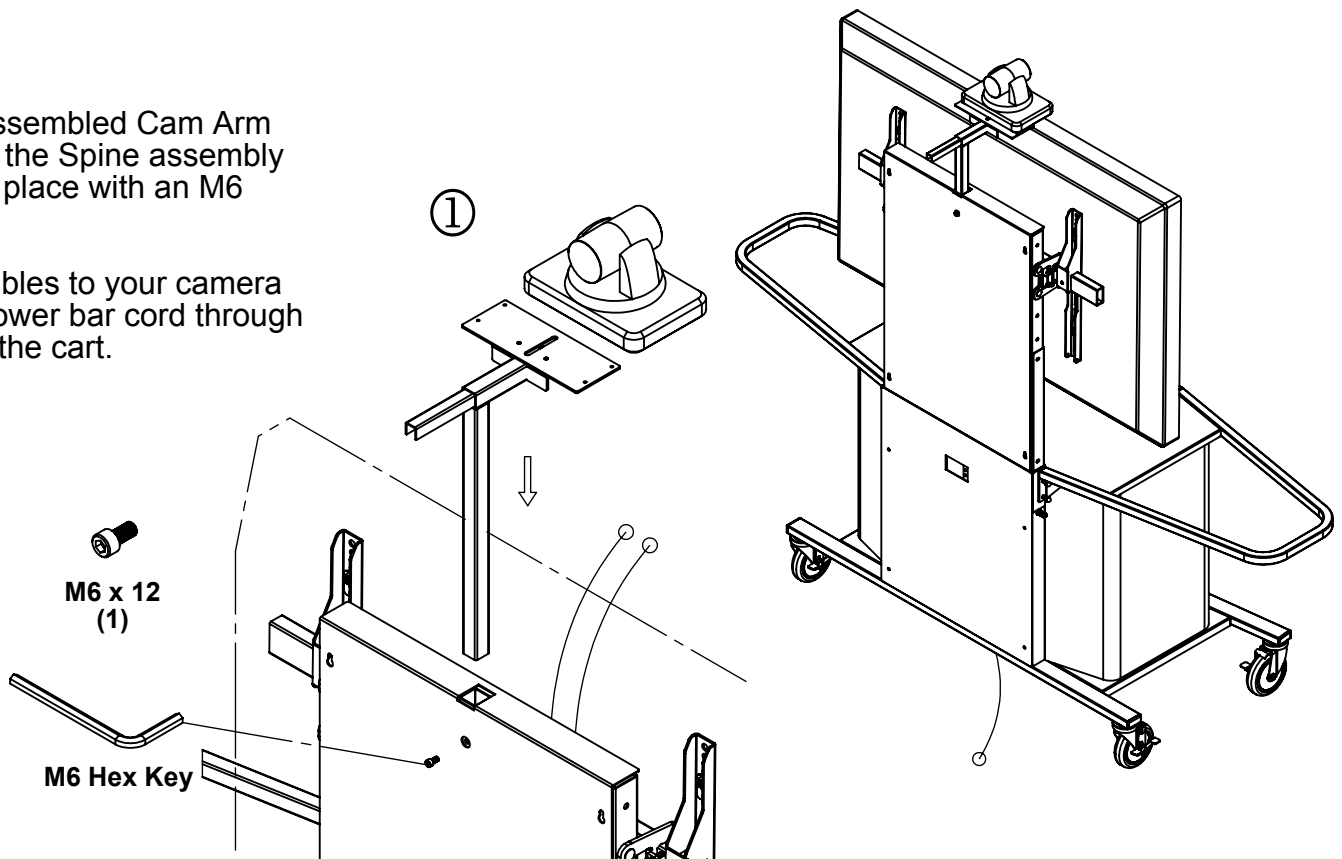


Installing Cam Bracket Assembly

Step 9

1) Slide the assembled Cam Arm into the top of the Spine assembly and secure in place with an M6 bolt.

2) Connect cables to your camera and run the power bar cord through the bottom of the cart.



Your Done!

VIDEO FURNITURE INTERNATIONAL

190 Don Hillock Drive Aurora, Ontario L4G 0G9 www.video-furn.com
Toll Free: 1-877-834-3876 Fax: 1-905-751-1488 Local: 905-751-1459